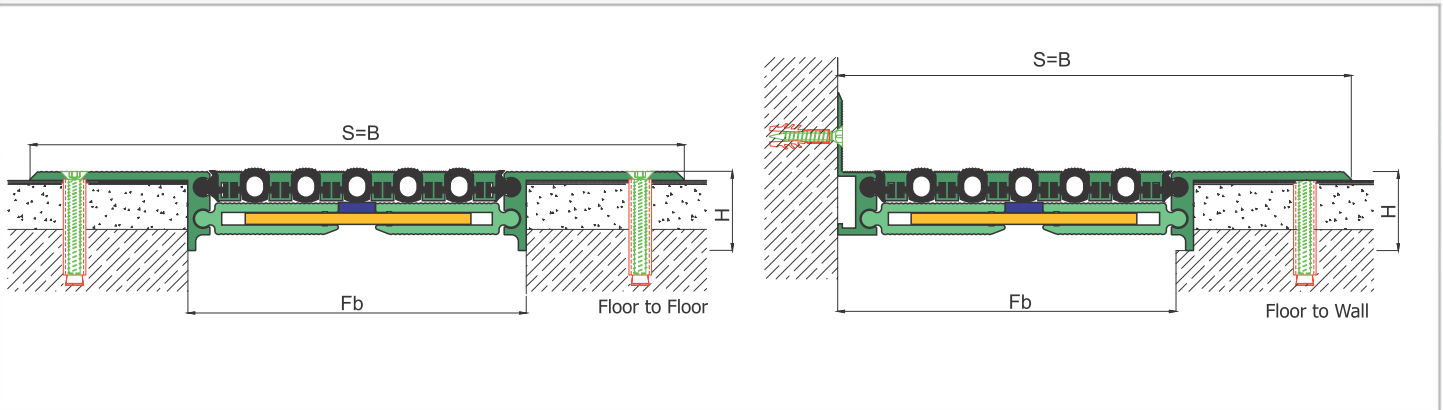
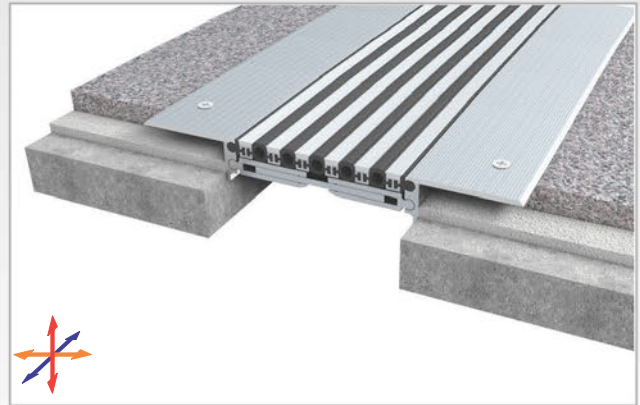
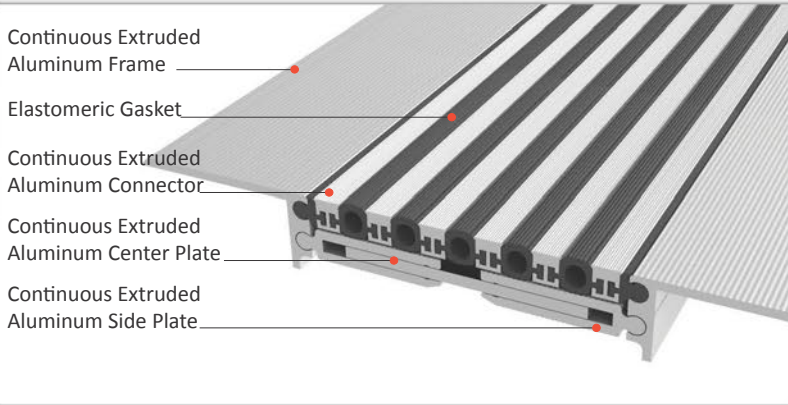




AS U236 surface mounted floor profiles can easily be applied to all types of floors and load bearing capacity is designed for heavy vehicles or cars depending on the gap inquired. Adjustable interlocking profile and gasket configuration makes it available for gaps up to 200 mm and enables to meet displacements in 3 directions. If inquired, AS U236 can be applied with wall type AS U136 and this dual application brings in a decorative aspect. Profiles are delivered factory-assembled.

- Application Areas** : Indoor & Outdoor / Floor
- Ideal for** : Factories, Warehouses, Car Parks, Shopping Malls, Airports, Residences, Hospitals, Hotels, Public & Commercial Buildings etc.
- Material** : Mill Finish Aluminum (Anodizing optional), TPE Gasket
- Aluminum Alloy** : 6063 AA-USA / EN AW 6063
- Optional Supplies** : Fire Barrier, Waterproof EPDM membrane

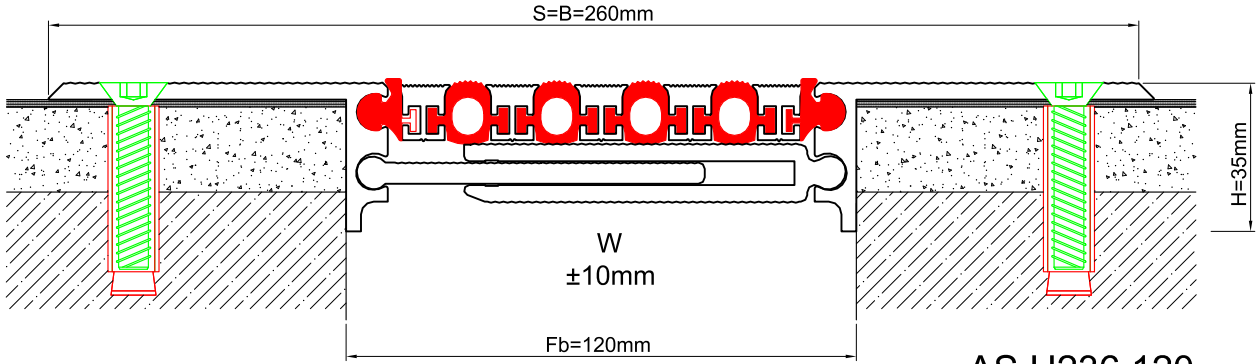
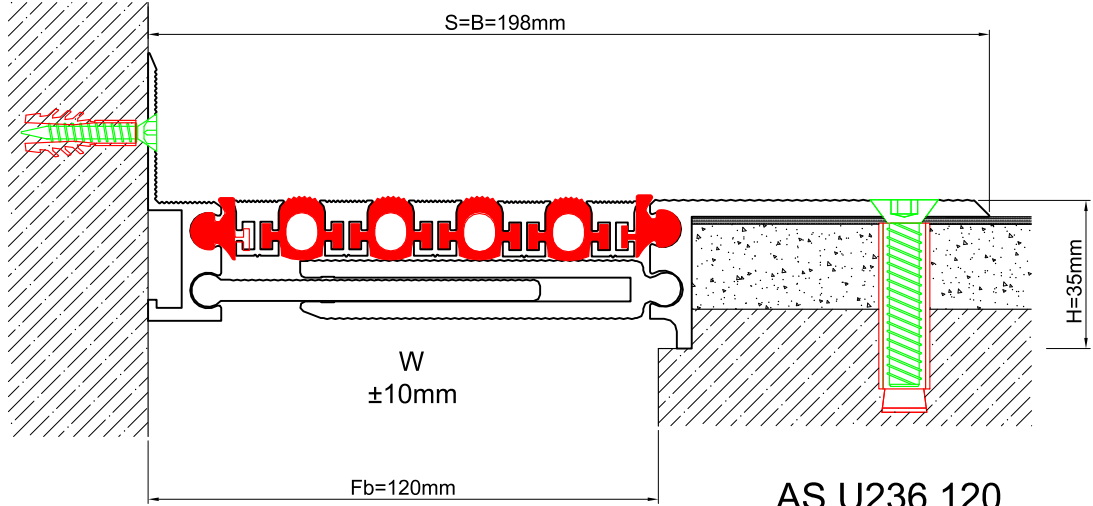


* Visuals are representative and the profile configuration may differ depending on the characteristics requested.



LOCATION	MODEL	GAP (Fb) mm	HEIGHT (H) MM	OVERALL WIDTH (B) mm	VISIBLE WIDTH (S) mm	MOVEMENT (W) mm	LOAD CAPACITY	STANDARD LENGTH (mt)
Floor to Floor	AS U236-060	60	35	200	200	± 4	35 kN 90 kN	3
	AS U236-080	80	35	220	220	± 6	25 kN 50 kN	3
	AS U236-100	100	35	240	240	± 8		3
	AS U236-120	120	35	260	260	± 10		3
	AS U236-160	160	35	300	300	± 14		3
	AS U236-180	180	35	320	320	± 16		3
	AS U236-200	200	35	340	340	± 18		3

Note: Please ask for different sizes


**AS U236 120
H35V**

**AS U236 120
H35KV**

Profil No Profile Number	AS U236 120	AS U236 120K
Fb (mm)	120	120
H (mm) yaklaşık approx.	35	35
W± (mm) yaklaşık approx.	±10	±10
Renk Color	Alüminyum: Natürel, Fitiller: Siyah, gri, diğer Aluminum: Natural, Inserts: Black, grey, others	
Malzeme Material	Alüminyum, TPE Termoplastik Elastomer Aluminum, TPE Thermoplastic Elastomer	
Standart Uzunluk Standard Length	3	
Yükleme Kapasitesi Load-Bearing Capacity	